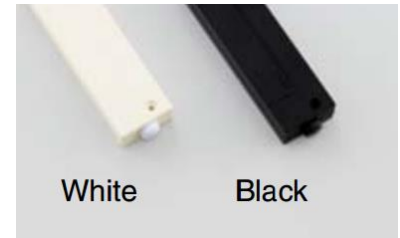


GCSD-10-TV Compact Soft-Down Stay

Downward opening · Compact

Opening Direction	Description	Non-handed	Model	Maximum Door Moment
 Downward-opening	-	Yes	L	1.0 ~2.0 N · m/pc (10.2~20.4 kgf · cm/pc)
			M	2.0~3.0 N · m/pc (20.4~30.6 kgf · cm/pc)
			H	3.0~4.0 N · m/pc (30.6~40.8 kgf · cm/pc)



Features

- Soft-closing for downward-opening doors
- Easy installation, simply aligning the main body to inside of enclosure corner before fixing with screws
- Mounting plate can be positioned easily with a template
- Non-handed
- Installation on bottom of enclosure maximises space
- Cover for mounting plate may be of the same colour as the main body
- Passed 40,000 life cycle test

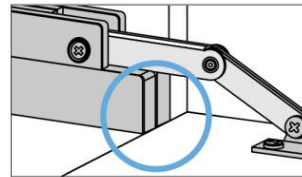
Notes

- Operating temperature: 0°C - 40°C
- GCSD-10-TV does not have catch feature, please install a catch separately
- When placing objects or working on the surface of opened door, install a brace or reinforcement material to support the door in addition to the stay
- Do not use concealed hinges

Parts Included

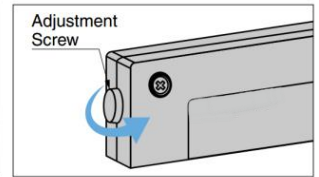
- Mounting plate
- Cover for mounting plate
- Binding head screw M4×4 (for connecting main body and mounting plate)
- Binding head tapping screw 3.5×30 (for main body)
- Binding head tapping screw 3.5×15 (for mounting plate)

Easy to Position



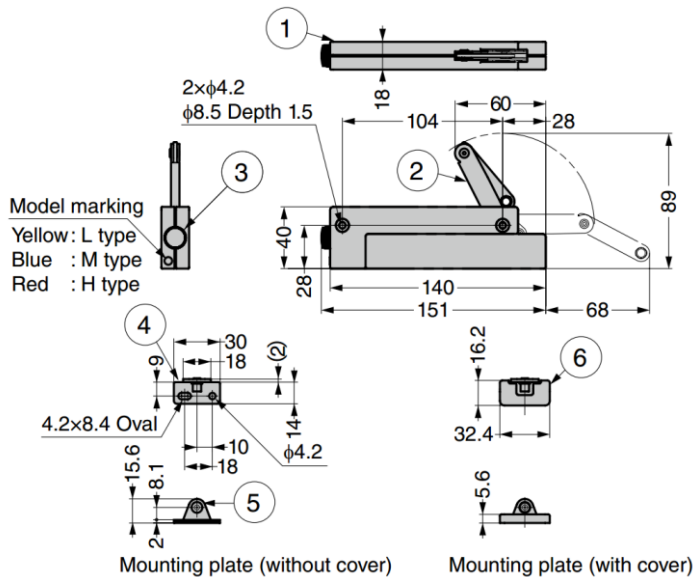
- Installation position is determined simply by pressing the main body against bottom and aligning to cabinet edge.

Speed Adjustment



- Opening speed may be slightly changed.

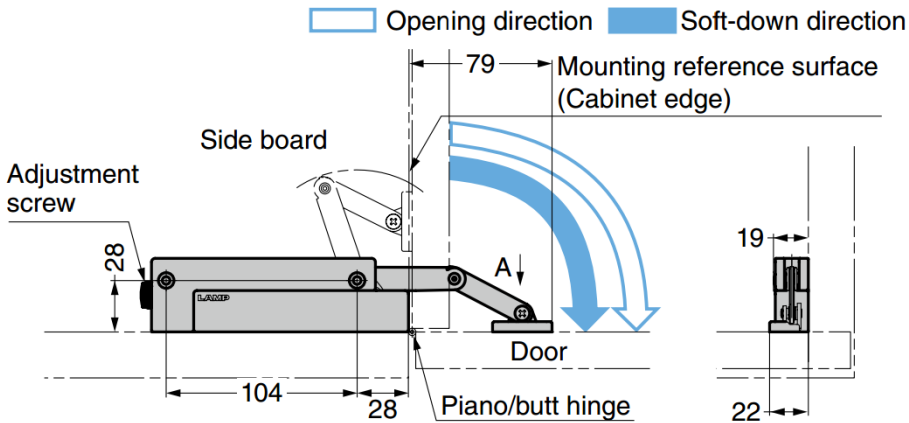
No.	Part Name	Material	Finish/Colour
①	Body	PC/ABS	White, Black
②	Arm	Steel (SPCC)	Nickel
③	Adjustment Screw	Steel + Resin	White, Black
④	Mounting Plate	Steel (SPCC)	Nickel
⑤	Shaft	Stainless Steel	Plain
⑥	Cover	ABS	White, Black



Maximum door moment N · m	Model	Qty
1.0 ~ 2.0	L	1 pc
2.0 ~ 3.0	M	
3.0 ~ 4.0	H	

Installation Illustration: Right side installation for downward-opening 90°. Left side installation is symmetrical

Comes down slowly and softly in opening direction. Installation with piano/butt hinge or drop hinge shown below.

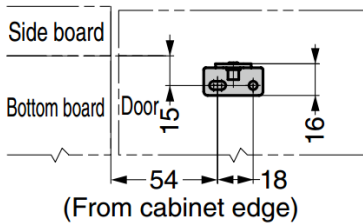
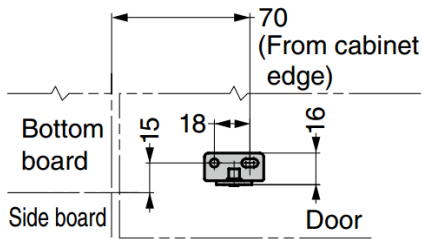


Installation Position of Mounting Plate (Included)

Can easily position with the supplied template.

For left side board

For right side board



Part No.	Colour	Model	Maximum Door Moment (per piece)	
GCSD-10-TV-L-WT	White	L	1.0 ~ 2.0 N.m	10.2 ~ 20.4 kgf.cm
GCSD-10-TV-L-BL	Black			
GCSD-10-TV-M-WT	White	M	2.0 ~ 3.0 N.m	20.4 ~ 30.6 kgf.cm
GCSD-10-TV-M-BL	Black			
GCSD-10-TV-H-WT	White	H	3.0 ~ 4.0 N.m	30.6 ~ 40.8 kgf.cm
GCSD-10-TV-H-BL	Black			